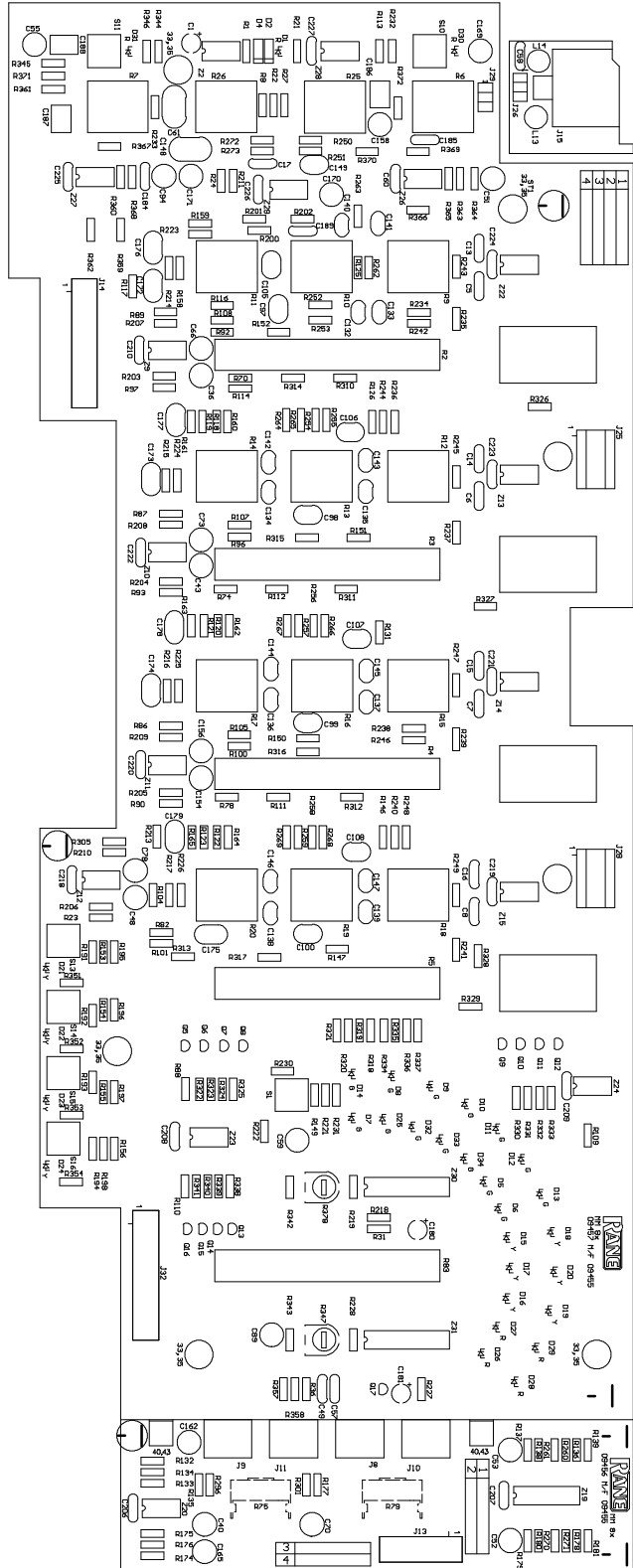
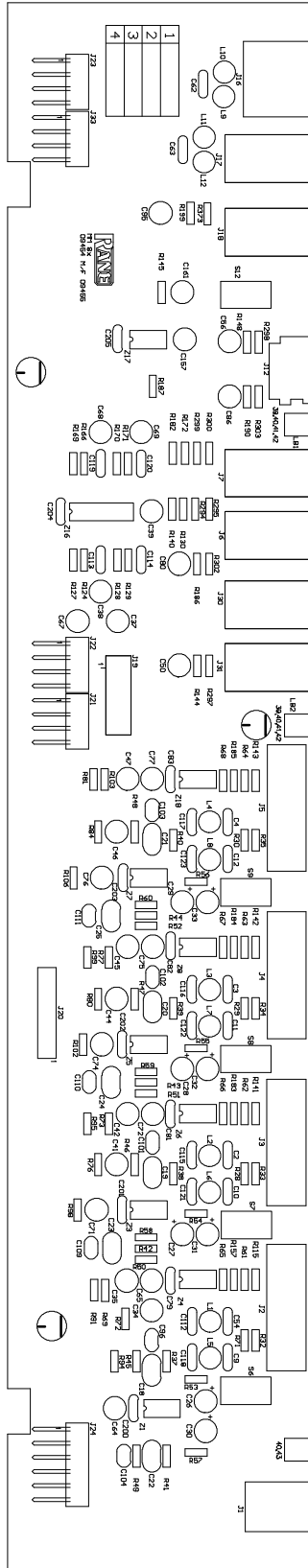
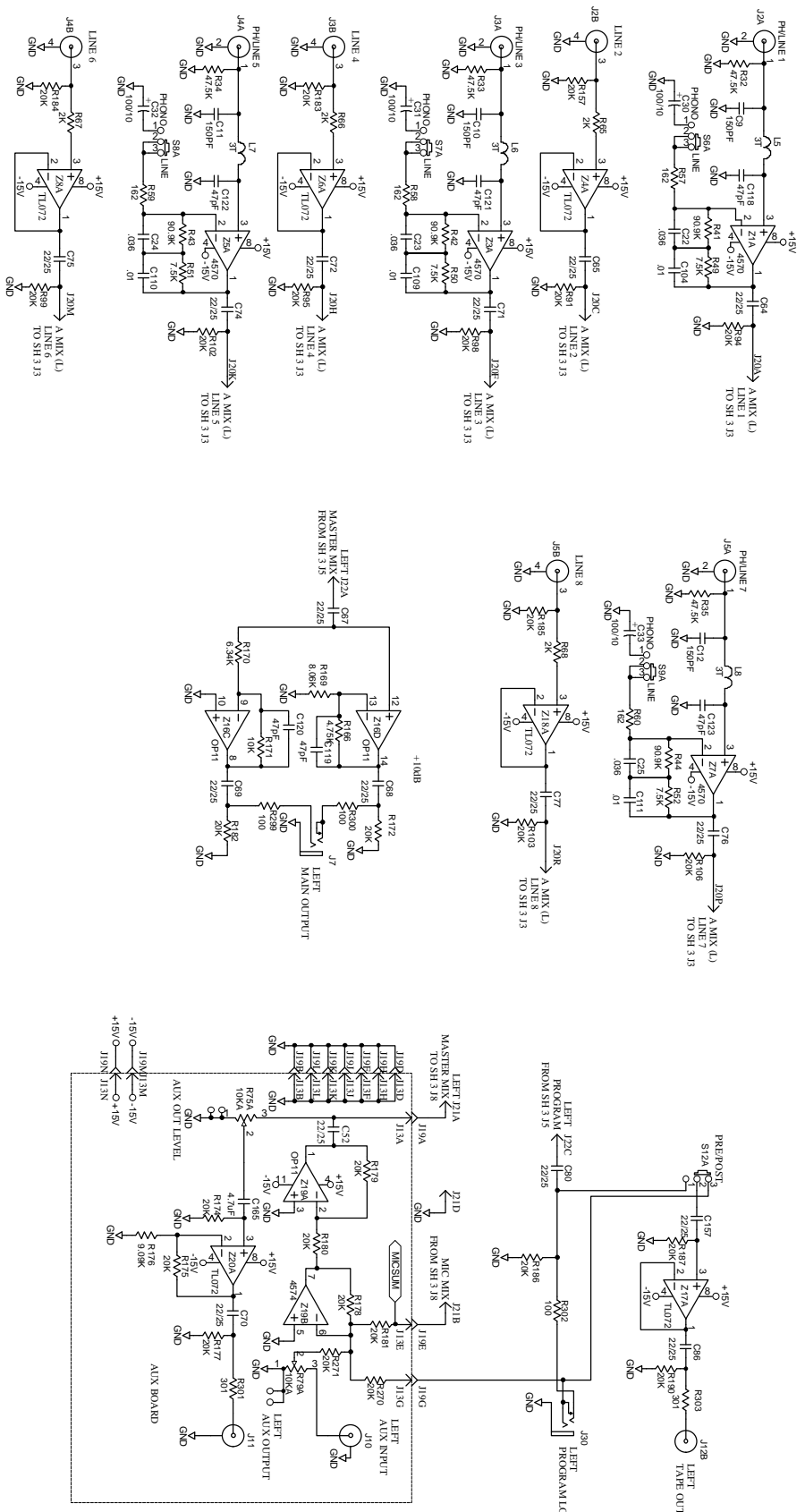
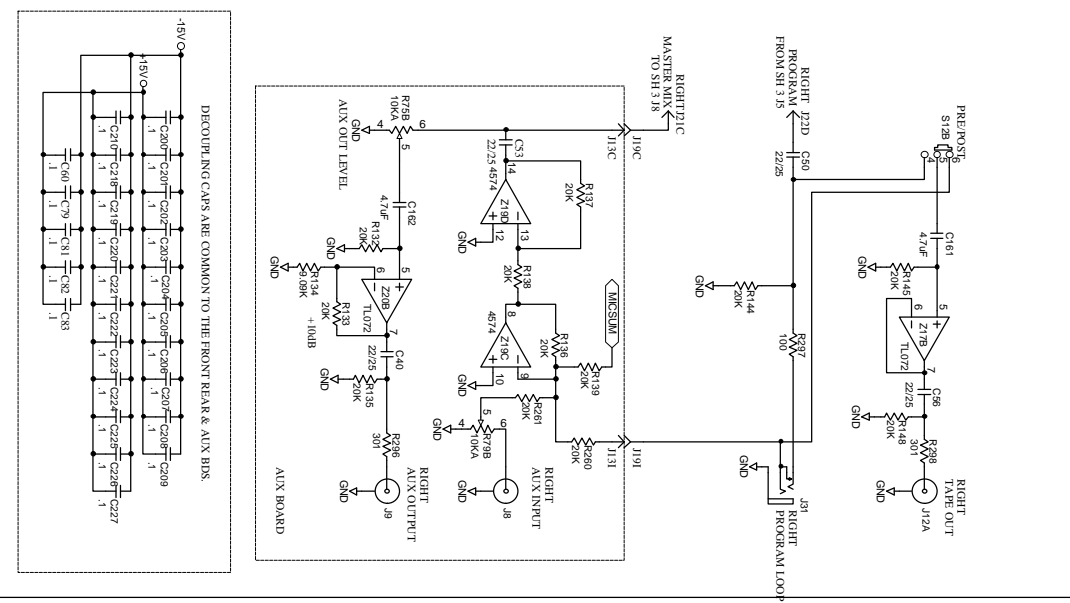
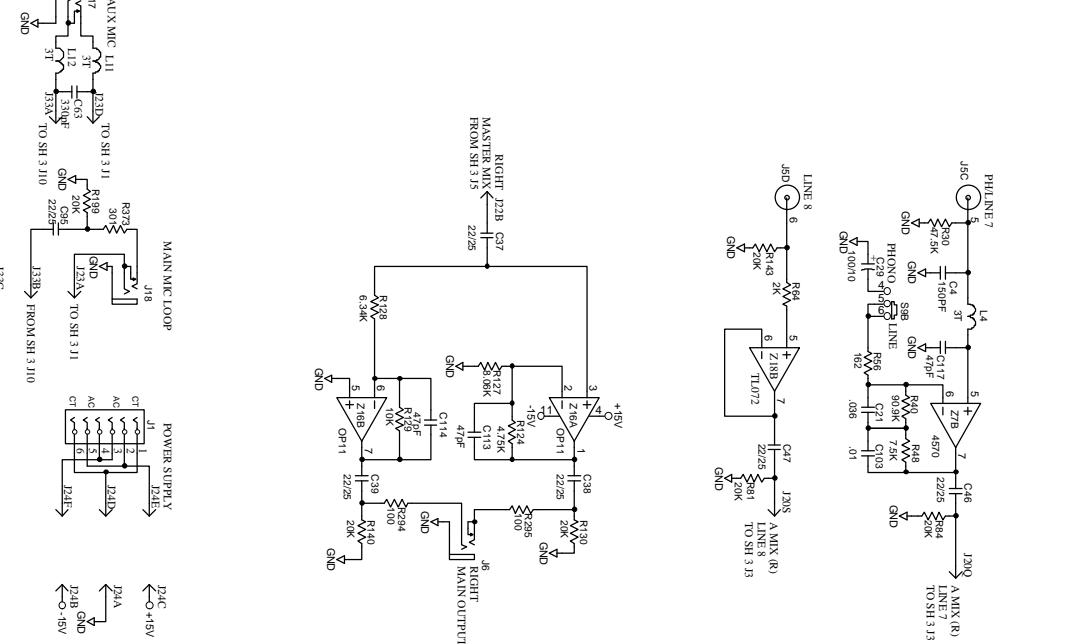
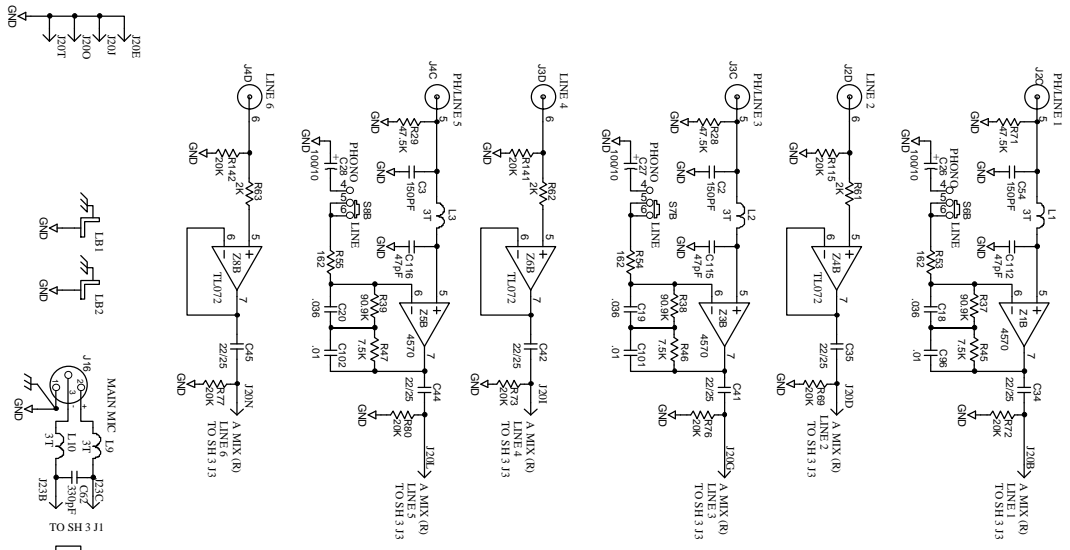


Rane Corp. (425)355-6000
 101798 DES SHEET 1 OF 2 HEADPHONE/SWITCH MM 8X
 ACTION: ADDED ORIENTATION TO J11 RWJ 19MAR98

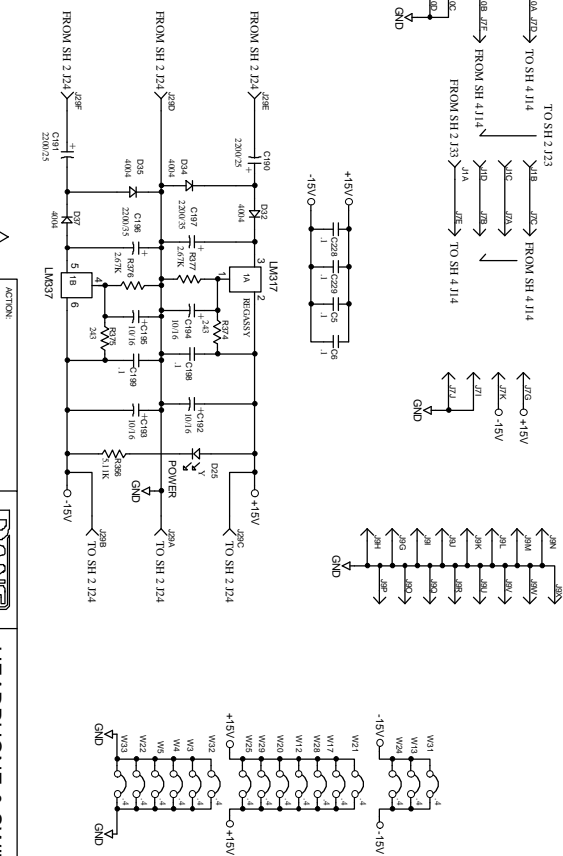
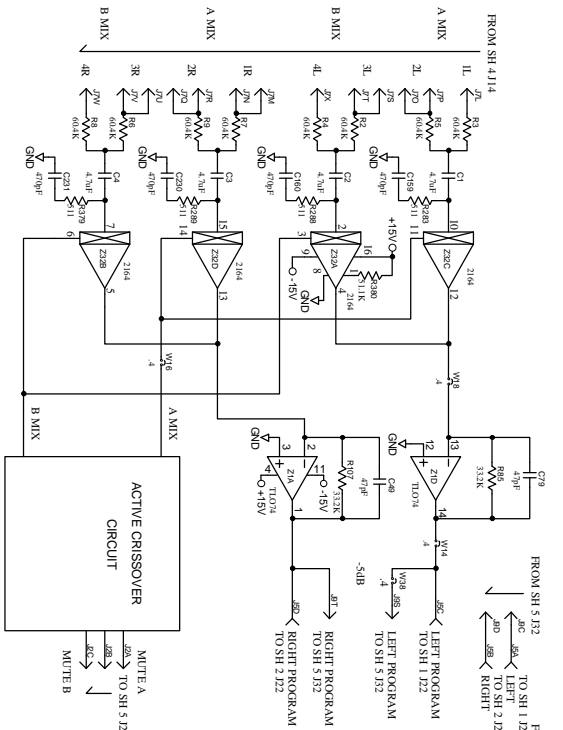
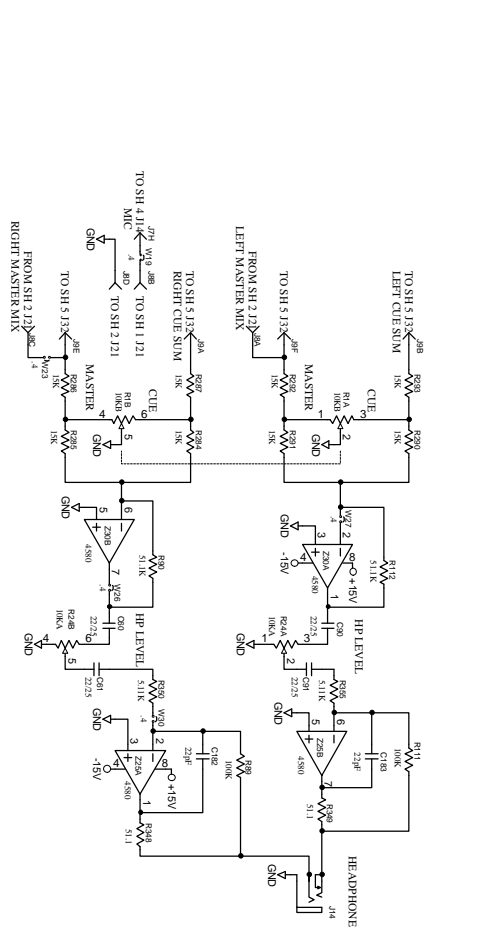
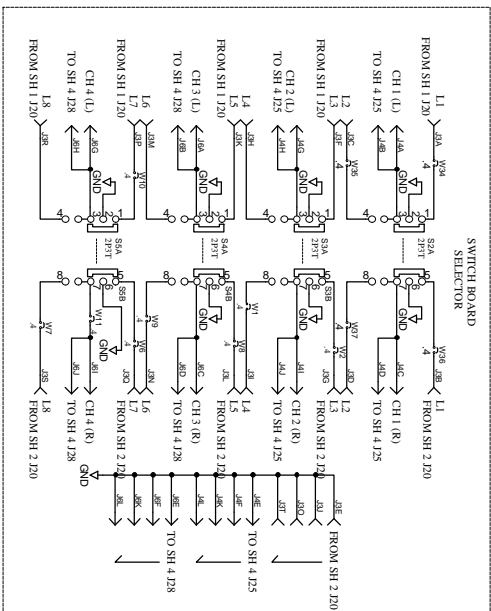


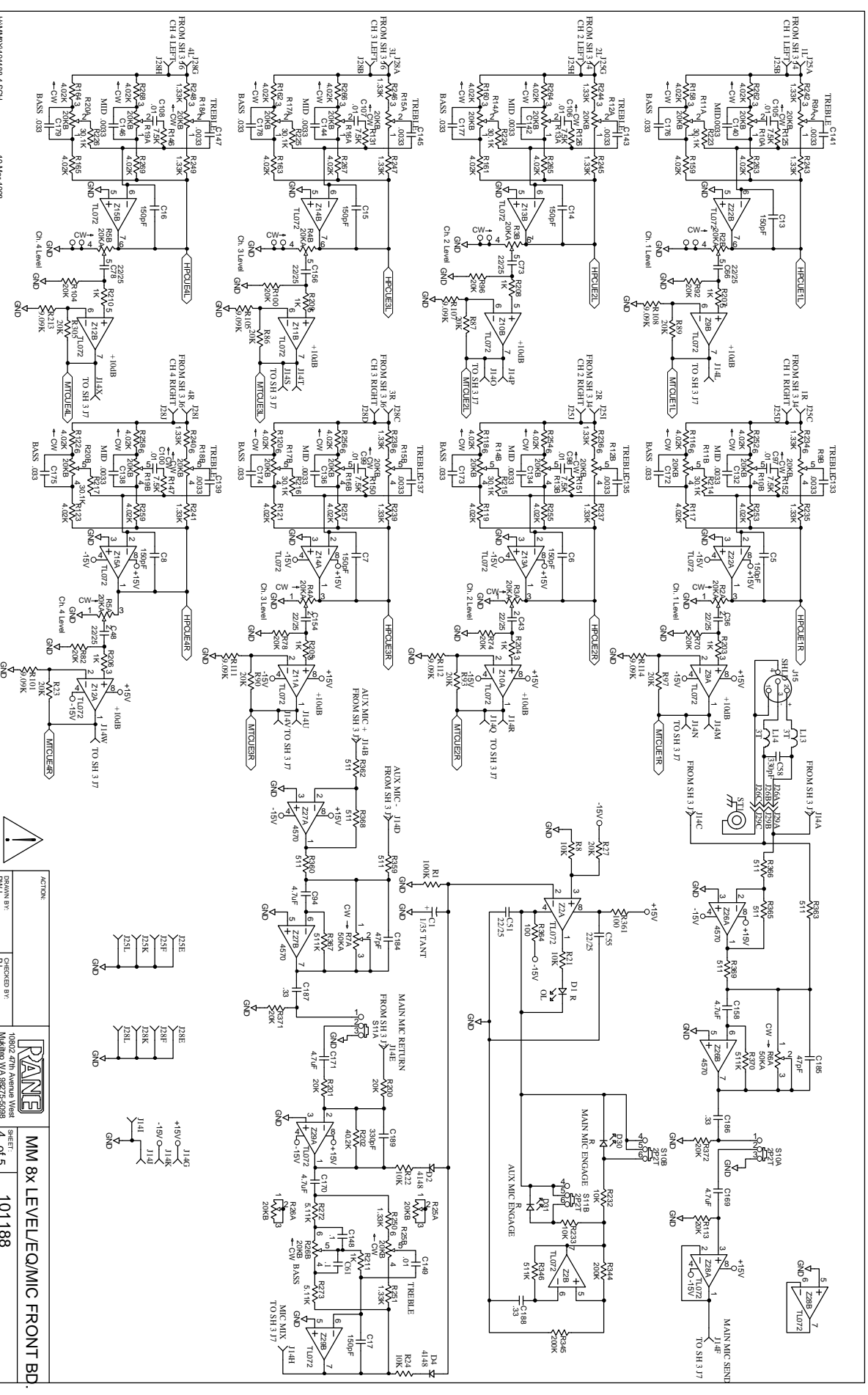
NOTE:
R75 AND R79 ARE TO BE MOUNTED ON CIRCUIT SIDE OF PCB

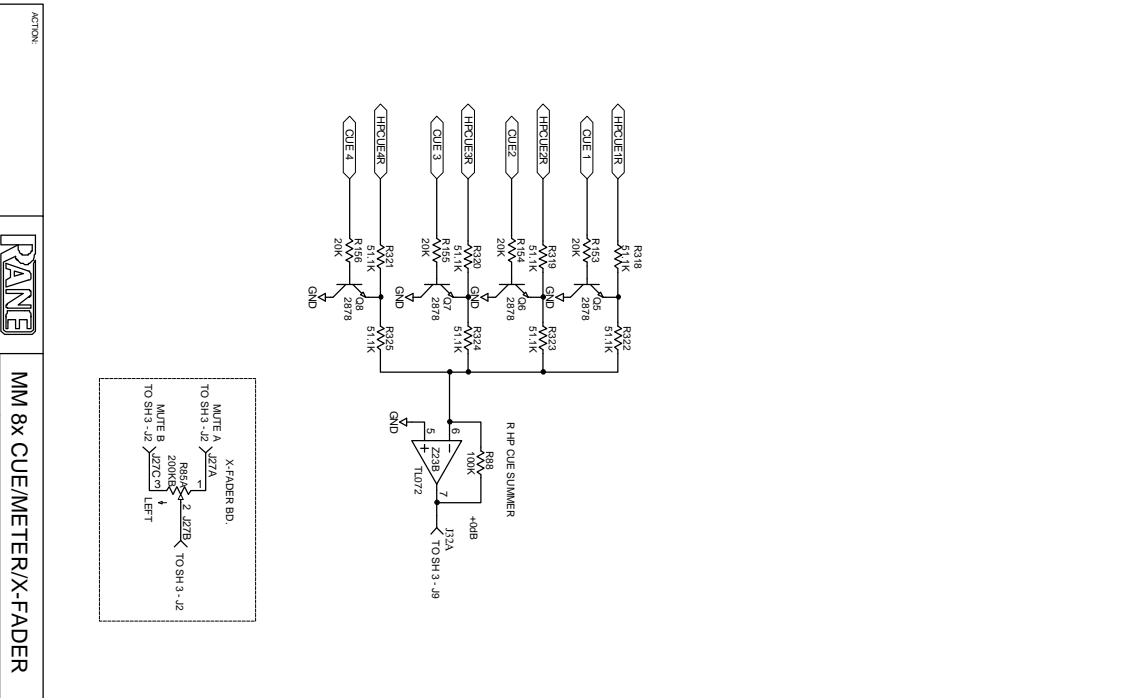
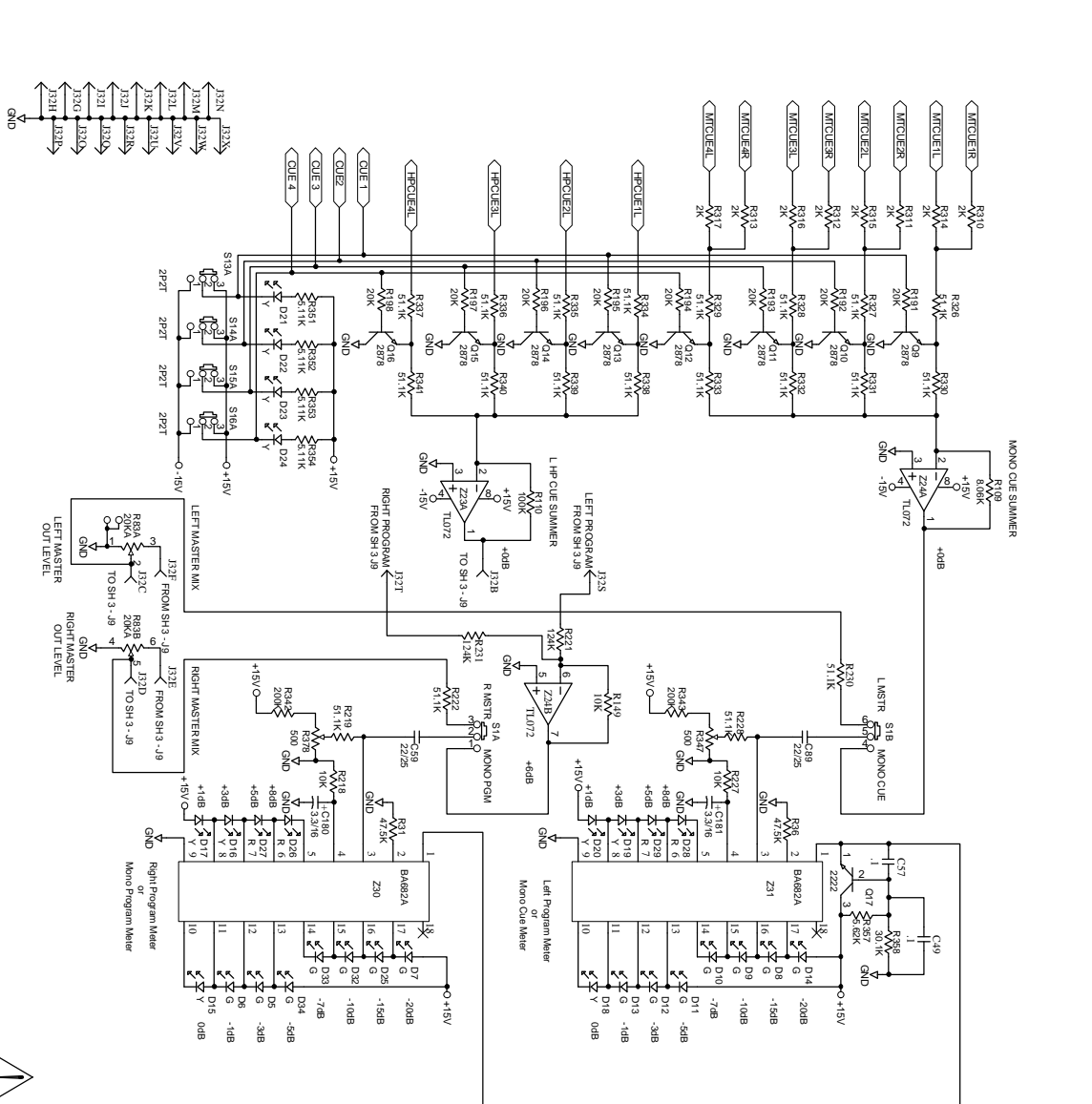




	ACTION:	REVISION:
	DESIGNED BY:	DATE:
	CHECKED BY:	DATE:
	DATE:	DATE:
10802-47th Avenue West Mukwonago, WI 53075-5088		
SHEET: 2 of 5		
101188		
MM 8x REAR/AUX RT CH & MISC.		







ACTION:	
DRAWN BY:	RM19
CHECKED BY:	RM
DATE:	19
10802 - 4th Avenue West Mukwonago, WI 53091	
PARNE	
MM 8x CUE/METER/X-FADER	
SHEET:	5 of 5
101188	

X-FADER BD.
MUTE A Z27A TO SH3-J2
MUTE B Z27C TO SH3-J2
LEFT