

NOTES:
 1. TRIM LEADS LONGER THAN 0.15
 2. MASK LBS

110199 FILM 1 OF 5 TOP SILKSCREEN HC4S

NOTES (UNLESS OTHERWISE SPECIFIED):

1. ALL SWITCHES SHOWN IN THEIR 'OUT' OR 'OFF' POSITION

20 kohm
+20 dBu
7.75 VRMS
11.0 Vp

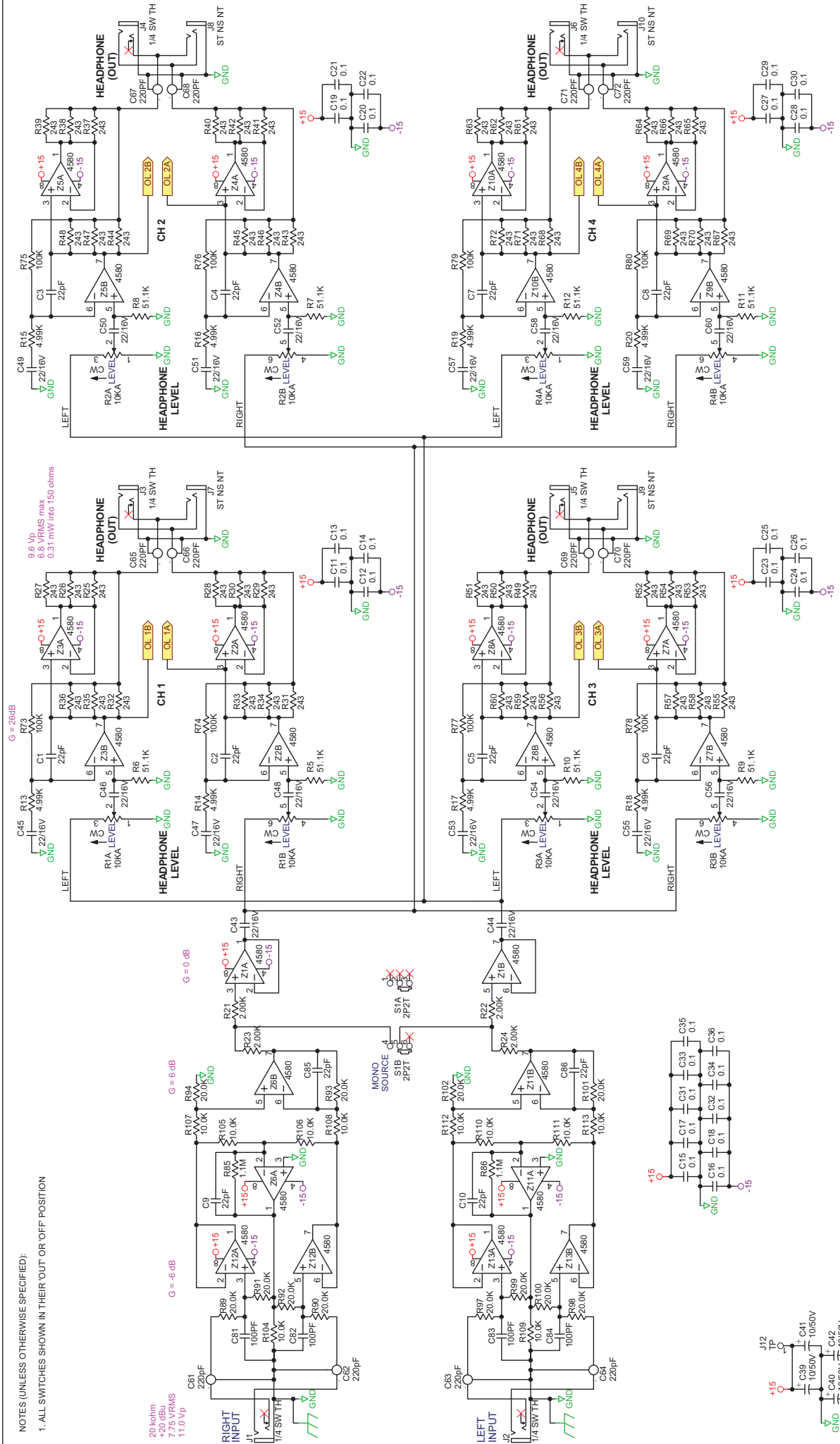
G = -9 dB

G = 6 dB

G = 0 dB

G = 26dB

9.6 Vp
6.8 VRMS max
0.31 mW into 150 ohms



ACTION:
NO CHANGE
WAS DOC 110074 AF 16C0T08
DRAWN BY:
CHECKED BY:

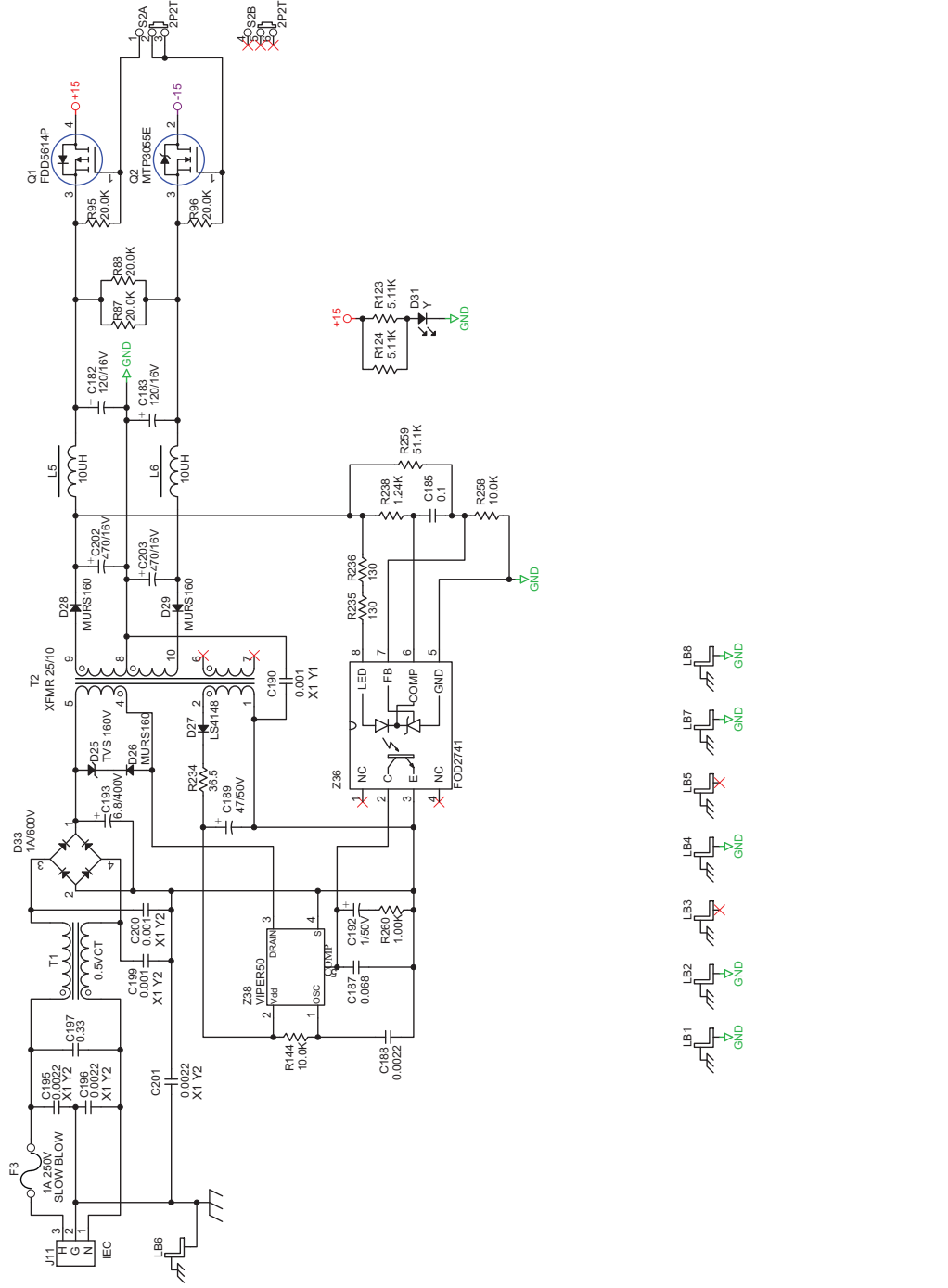


10802 47th Avenue West
Mukilteo WA 98275-5088

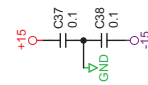
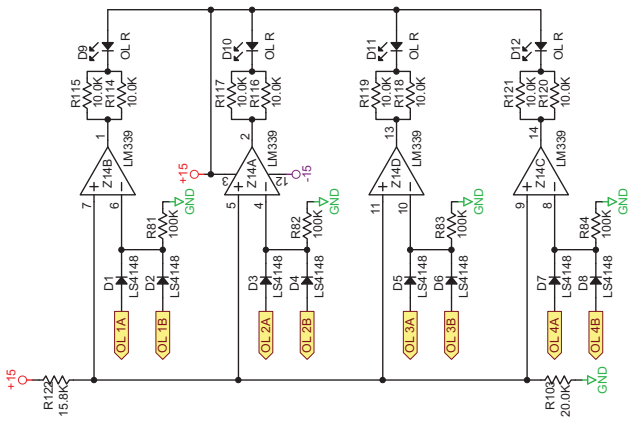
HC4S INPUTS/OUTPUTS
SHEET: 1 of 2
110198

OVERLOAD/POWER SUPPLY
H:HC4S110198-2:SCH

POWER SUPPLY



OVERLOAD CIRCUIT



ACTION: MOD PWR SW PER MR
 WAS DOC 110074 AF 16OCT06
 DRAWN BY: CHECKED BY:



HC4S OL / PWR SUPPLY
 SHEET: 110198
 2 of 2